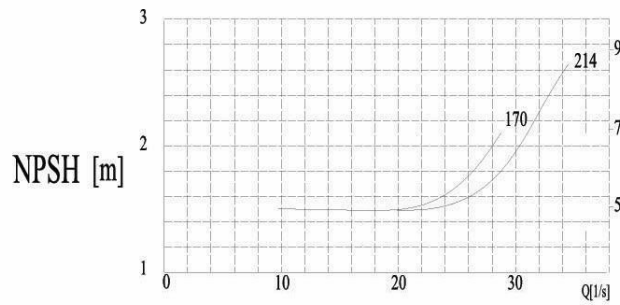
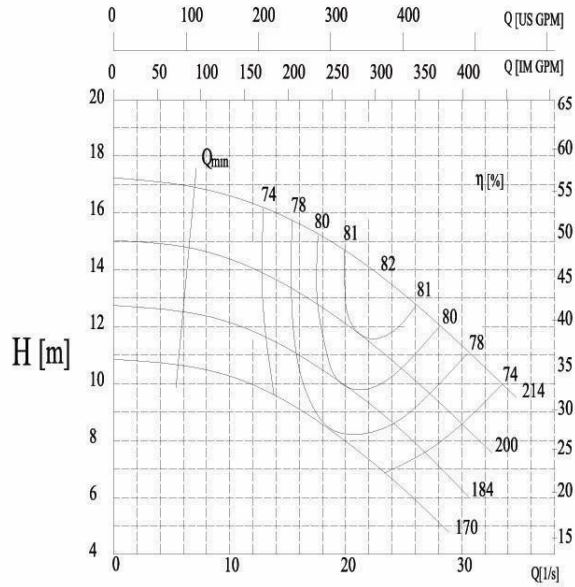
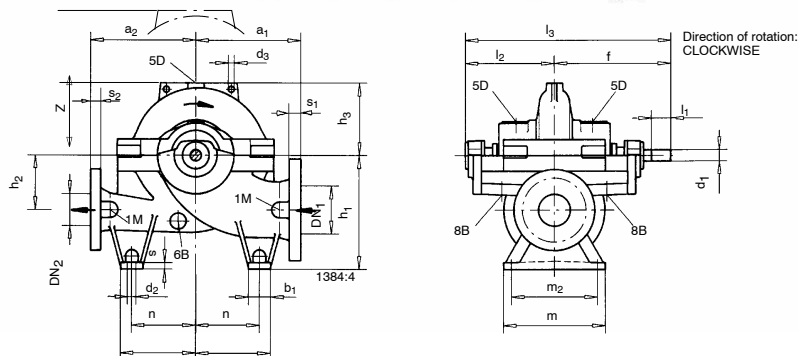
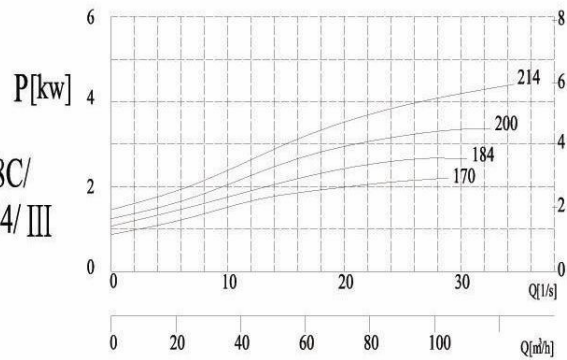


Pump Model CPS 125-80-290

Speed 1450rpm



ISO 2548C/
DIN 1944/ III



Pump Size	FLANGE DIMENSIONS				PUMP DIMENSIONS									
	DN1	DN2	s1	s2	a1	a2	d3	h1	h2	h3	l2	l3	z	
CPS 125-80-210	125	80	34	29	300	300	19	415	315	140	168	300	715	340
	FOOT DIMENSIONS									SHAFT		PUMP WEIGHT		
	b1	d2	m1	m2	n1	n2	n3	n4	s	d1	L1	(kg)		
70	18	320	270	205	205	170	170	20	35	80	186			